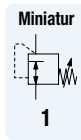
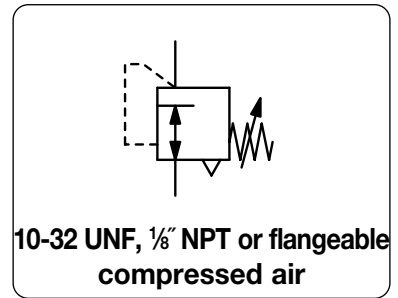


# PLASTIC MINIATURE PRECISION PRESSURE REGULATOR

# R800 / R900

<b>Description</b>	Miniature precision regulator with high supply sensitivity, small dimension, low weight. Hysteresis-free adjustment up to 20 turns. compressed air or non-corrosive gases	
<b>Media</b>	max. 10 bar	
<b>Supply pressure</b>		
<b>Accuracy</b>	<b>R800 / R900 / R901</b>	<b>R810 / R910 / R911</b>
	< 7 mbar pressure deviation	< 20 mbar pressure deviation
	< 7 mbar pressure deviation	< 17 mbar pressure deviation
	< 2.5 mbar	< 5 mbar
<b>Air consumption</b>	0.35 l/min at 7 bar supply	pressure increase for flow <20 ml/min
<b>Relieving function</b>	relieving, optionally non-relieving	
<b>Relief capacity</b>	15 l/min at 0.35 bar outlet above set-point	
<b>Temperature range</b>	4 °C to 66 °C / 40 °F to 150 °F	
<b>Material</b>	Body: polysulfones	Elastomer: NBR/Buna-N
	Inner valve: stainless steel and acetal	



Dimensions			Pressure adjustment	Flow rate	Pressure range	Order number for manifold with o-ring	Order number 10-32 UNF standard
A	B	C	by	l/min*1	bar		
mm	mm	mm					

Precision pressure regulator						supply pressure max. 10 bar, relieving, with constant bleed	R900
29	78	8	knob	65	0.03 ... 0.24	<b>R900-3,5MWK</b>	<b>R900-3,5WK</b>
					0.03 ... 0.7	<b>R900- 10MWK</b>	<b>R900- 10WK</b>
					0.03 ... 2.1	<b>R900- 30MWK</b>	<b>R900- 30WK</b>
					0.03 ... 4.2	<b>R900- 60MWK</b>	<b>R900- 60WK</b>
					0.03 ... 6.2	<b>R900- 90MWK</b>	<b>R900- 90WK</b>
29	60	8	spindle	65	0.03 ... 0.24	<b>R900-3,5WOS</b>	<b>R900-3,5WOS</b>
					0.03 ... 0.7	<b>R900- 10WOS</b>	<b>R900- 10WOS</b>
					0.03 ... 2.1	<b>R900- 30WOS</b>	<b>R900- 30WOS</b>
					0.03 ... 4.2	<b>R900- 60WOS</b>	<b>R900- 60WOS</b>
					0.03 ... 6.2	<b>R900- 90WOS</b>	<b>R900- 90WOS</b>
29	43	8	preset	65	to be indicated	<b>R901- .. M</b>	<b>R901- ..</b>



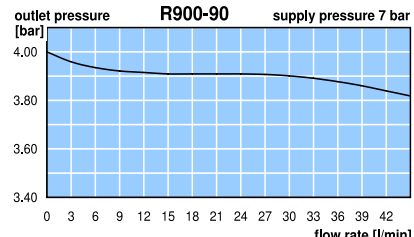
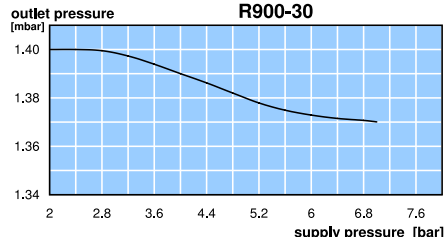
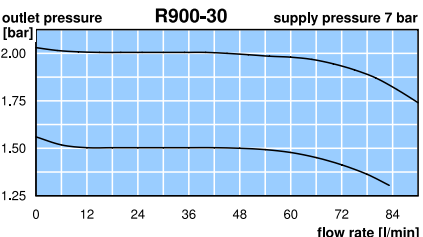
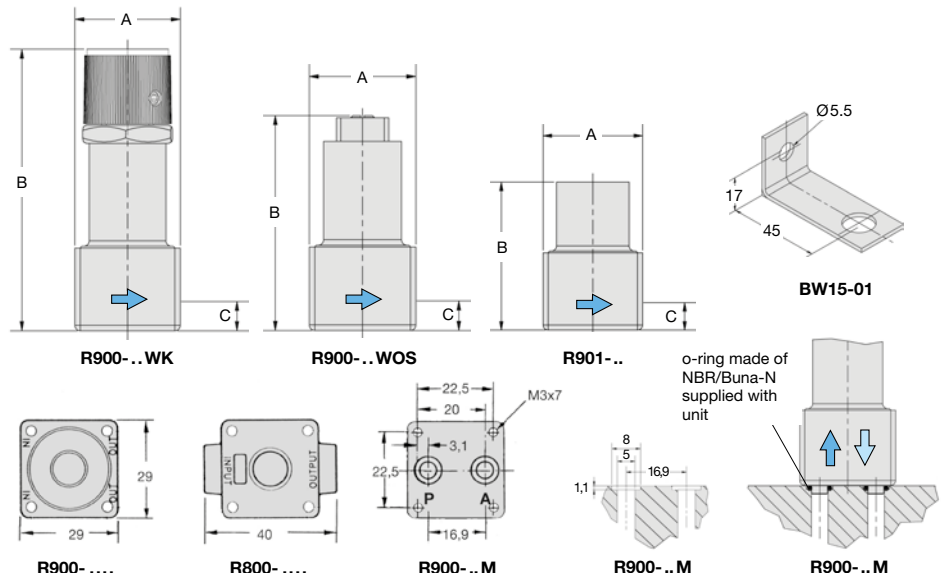
**Special options,** add the appropriate letter

1/8" NPT	connection thread, width 40 mm	R8...W...
non-relieving	without constant bleed	R.1.....
for oxygen	specially cleaned	R.....15



**Accessories,** enclosed

mounting bracket made of steel for R800 and R900 **BW15-01**



\*1 at 7 bar supply pressure and max. outlet pressure

\* Product group